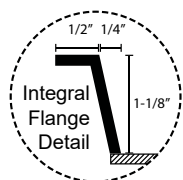
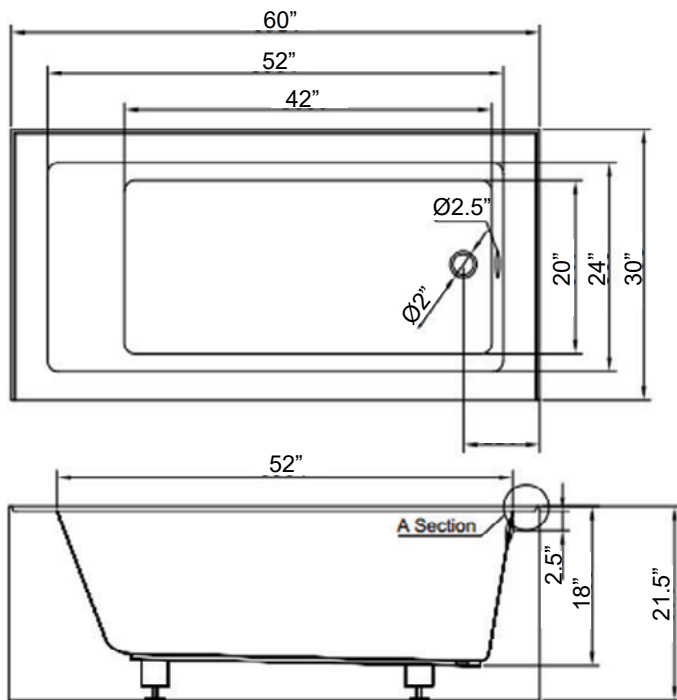




UST-AL(*)C01

UPC:



Style:

- Alcove Tub
- Skirted
- Linear Raised Outlet

Materials:

- Acrylic
- Fiberglass
- Resin

Size:

- Overall: 60" x 30" x 21.5"

Features:

- (L)Left and (R)Right Drain Versions Available
- Reinforced integral skirt
- Built-In Tile Flange
- Lumbar Support
- 3" diameter feet, 7/16" O.S.B. and fiberglass for maximum support.
- High gloss acrylic surface for a bright shine.
- Covered with a protective film to maintain finish during installation.
- Easy to clean. Stain resistant.
- Easy to install for both new construction and remodel projects.

Capacity To Overflow:

- 61 gallons

Certifications:

- cUPC/ IAPMO: 7136 WTM-02849 L/R

Warranty:

- Lifetime Limited Warranty

Available Color/Finish



Models Available:

- UST-ALLC01SW
- UST-ALRC01SW
- UST-ALLC01SNW

